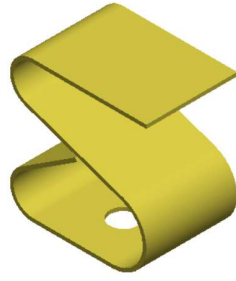
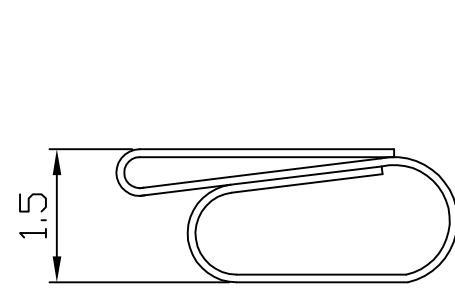
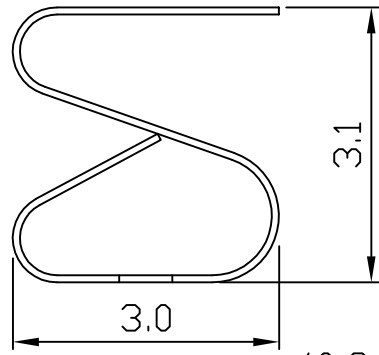


8	7	6	5	4	3	2	1
PART NUMBER	THICKNESS	MATERIAL	PLATING TYPE	PACKAGING			
67B5G2003003108R00	0.08mm	BeCu C17200	Au 1u" Over Ni 50~120u"	TAPE AND REEL			
				REEL DIAMETER	TAPE WIDTH (W)	PITCH (P)	QUANTITY / REEL
				330.2mm (13 inch)	12mm	8mm	2500 pcs

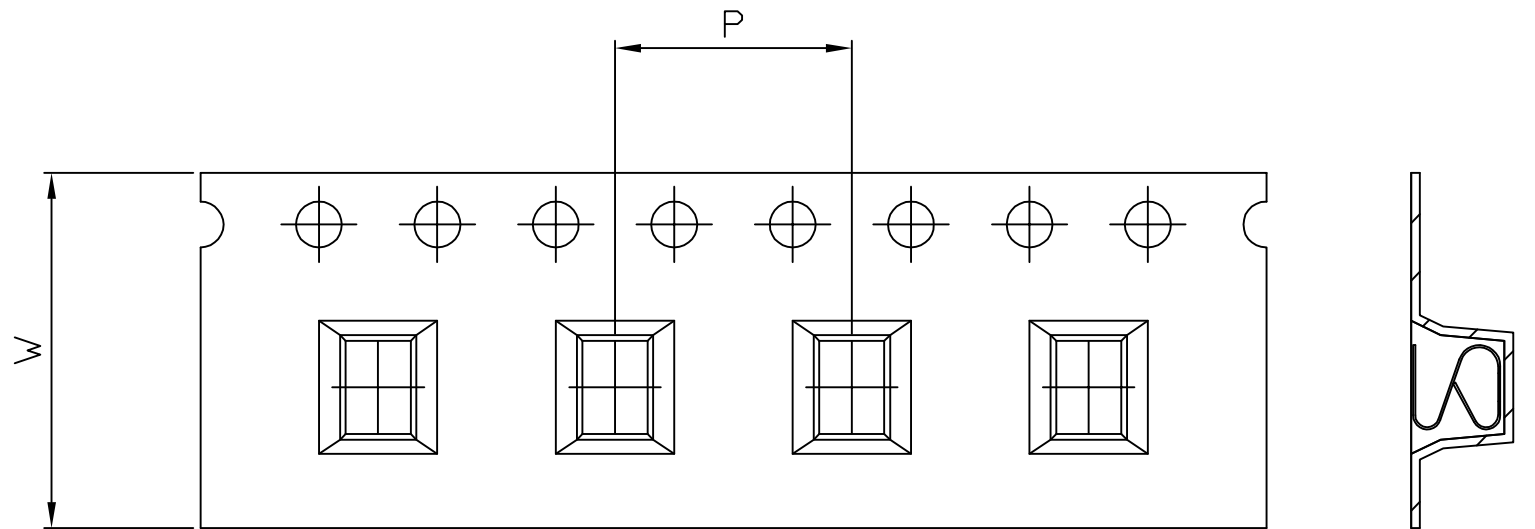
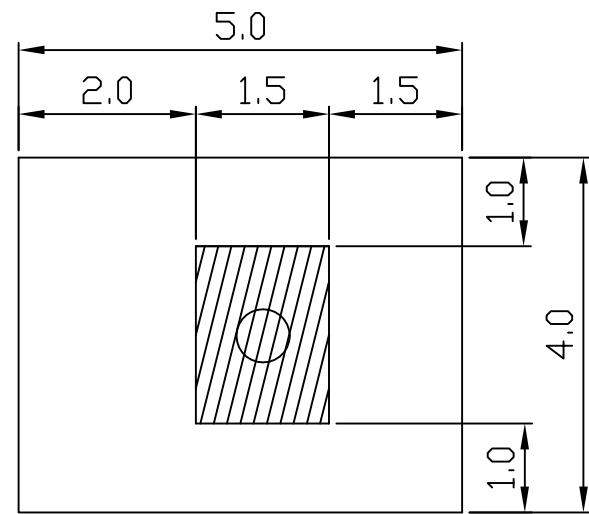
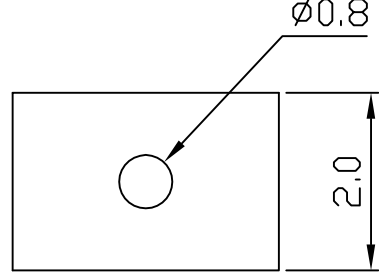
D

D



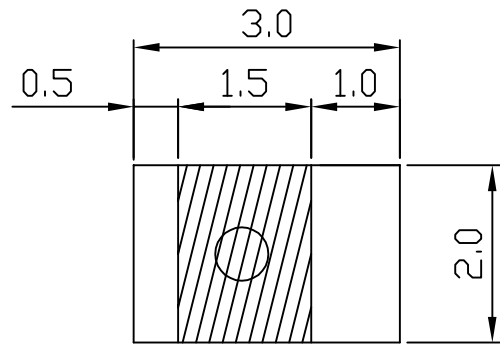
C

C



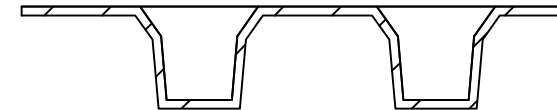
B

B



SOLDER PAD Dimension

Recommendation



A

A

PART NUMBER CONFIGURATION:
67 B X X XXX XX XXX XX R XX

67 FOR GENERAL ELECTRONICS
 68 FOR AUTOMOTIVE ELECTRONICS

MATERIAL: BECU

SHAPE TYPE

PLATING TYPE

PART WIDTH

VERSION CODE

PACKAGING: TAPE&REEL

PART THICKNESS

PART HEIGHT

PART LENGTH

UNITS: MM [INCH]		LAIRD DRAWING NUMBER: B5G-20X30X031-SALES
TOLERANCES: X.X = ±0.4 X.XX = ±0.2 X.XXX = ±0.1		THIS IS AN UNCONTROLLED SALES DRAWING. THE DIMENSIONAL CHARACTERISTICS AND TOLERANCES OF THIS PART SHOWN ON THIS DRAWING AS A REFERENCE TO THE DIMENSIONAL SPECIFICATIONS OF THE LAIRD STANDARD PRODUCTION DRAWING FOR THIS PART. ANY SUBSEQUENT CHANGES TO THE STANDARD PART SPECIFICATION WILL SUPERSEDE THIS SALES DRAWING.
ANGULAR: X° = ±3° X.X° = ±1.0°	3RD ANGLE PROJECTION 	DESIGNED IN SOLIDWORKS SCALE: 5:1 SHEET 1 OF 1
	SIZE B	